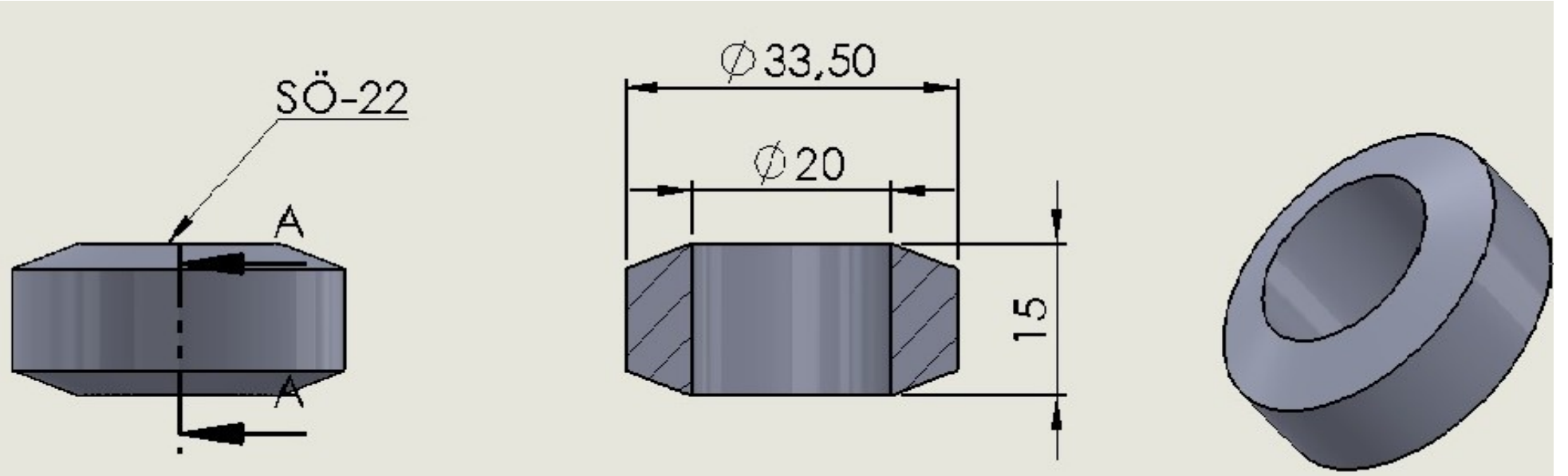


SÖ-22 ÖZEL CONTA



KOD	$\varnothing d$	$\varnothing D$	H	BİRİM FİYAT
SCÖ-22	20	33,5	15	FS

